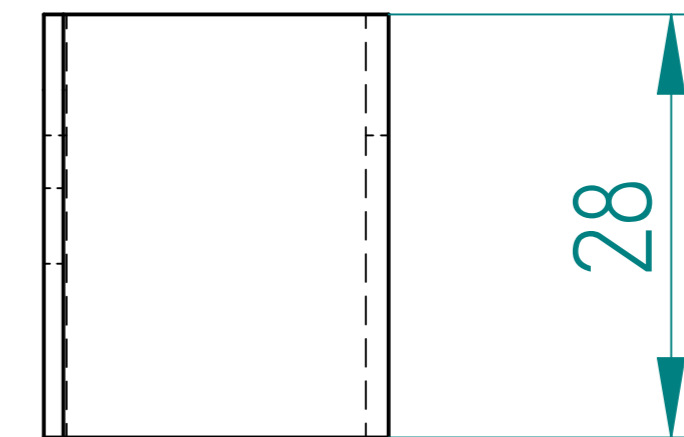
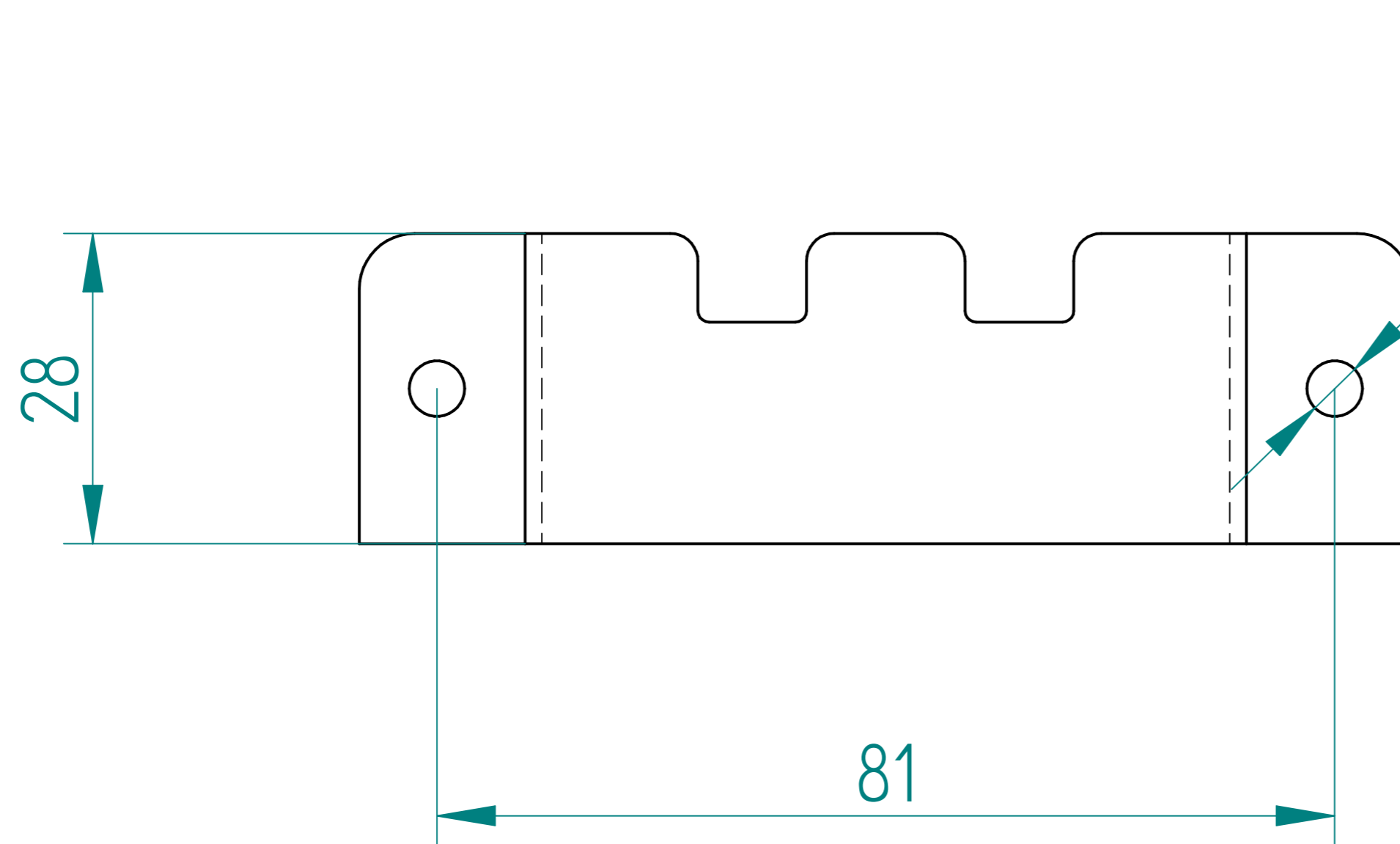
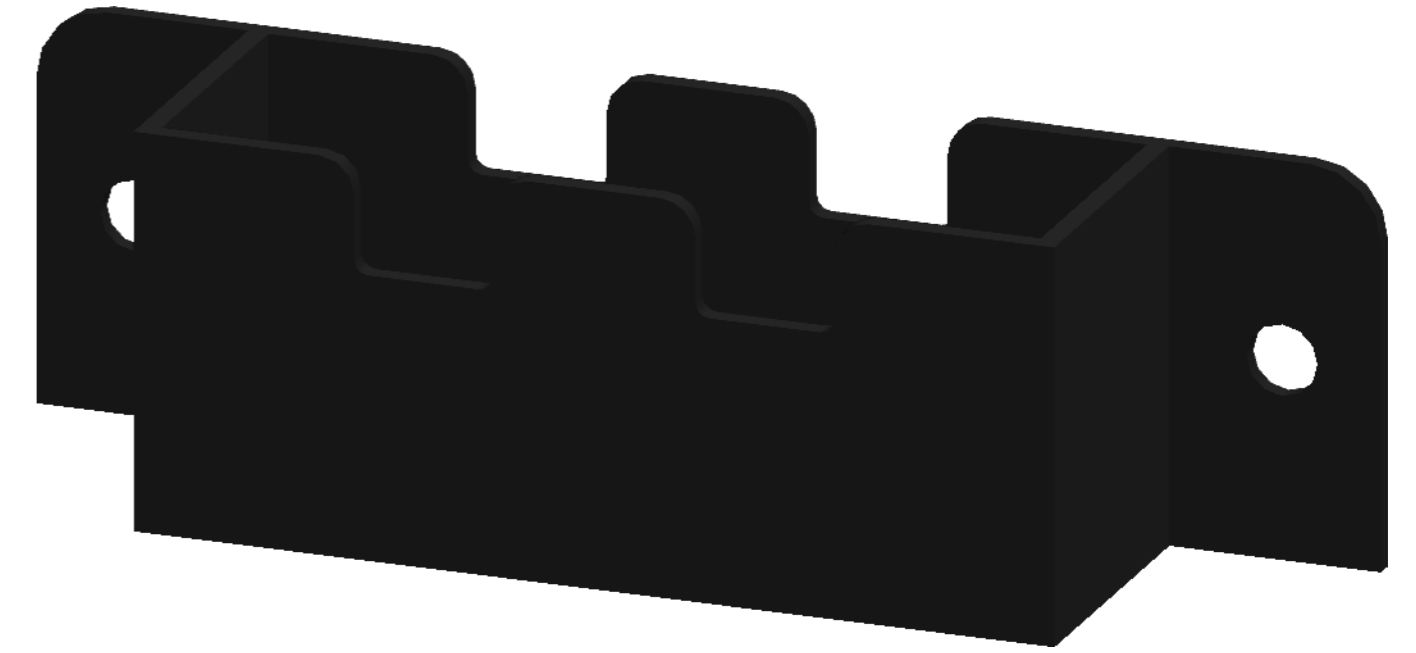
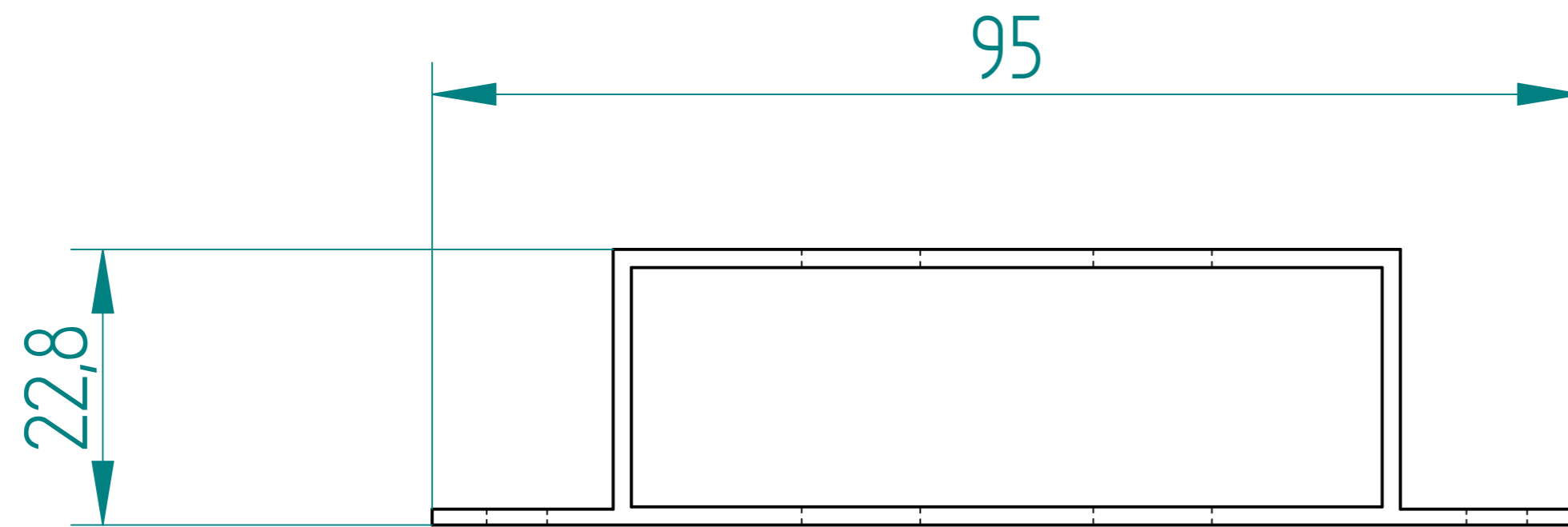


REVISION HISTORY			
REV	DESCRIPTION	DATE	APPROVED



	NAME	DATE	Cube Co., Ltd	
DRAWN	JACK LIN	2024/09/04	TITLE	
CHECKED			7 pin flat plug bracket holder	
ENG APPR			SIZE	DWG NO
MGR APPR			A2	
UNLESS OTHERWISE SPECIFIED DIMENSIONS ARE IN MILLIMETERS ANGLES ±XX° 2 PL ±XXX 3 PL ±XXXX			SCALE: 2 : 1	WEIGHT: 15g
			SHEET 1 OF 1	REV